

HIGH FREQUENCY VCXO

SPECIFICATIONS	HV41-100	HV41-160	HV41-200	
Frequency Range	30MHz to 52MHz			
Frequency Stability	±25ppm			
Temperature Range	-25°C to +75°C			
Output	Waveform	HCMOS Squarewave		
	Voltage	Voh	4.5V Minimum	
		Vol	0.5V Maximum	
	Current	Ioh	-8mA	
		Iol	8mA	
	Duty Cycle	40/60 Maximum		
	Rise/Fall Time	3nS, 15pF Load		
Jitter (RMS)	5pS Maximum over 10Hz to 20MHz bandwidth 1pS Maximum over 12KHz to 20MHz bandwidth			
SSB Phase Noise (Typical)	-60dBc/Hz @ 10Hz , -140dBc/Hz @ 10KHZ			
Frequency Control	Positive Transfer Characteristic			
Control Voltage	0.5 to 4.5Vdc			
Deviation @25 C	±50ppm Min	±80ppm Min	±100ppm Min	
Center Frequency	2.5Vdc ±0.5Vdc			
Monotonic Linearity	< ±20%			
Input Impedance	≥ 50K ohms at ≤ 10KHz			
Modulation Bandwidth	≥ 15KHz			
Supply Voltage	+5Vdc ±5%			
Supply Current	35mA Max			
Package	All metal, hermetically sealed, welded package			

WARNING! Do not insert oscillator into a hot circuit. Failure to comply will result in damage to oscillator.

EXAMPLE MODEL NUMBER:

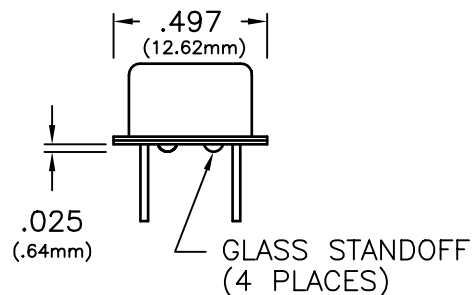
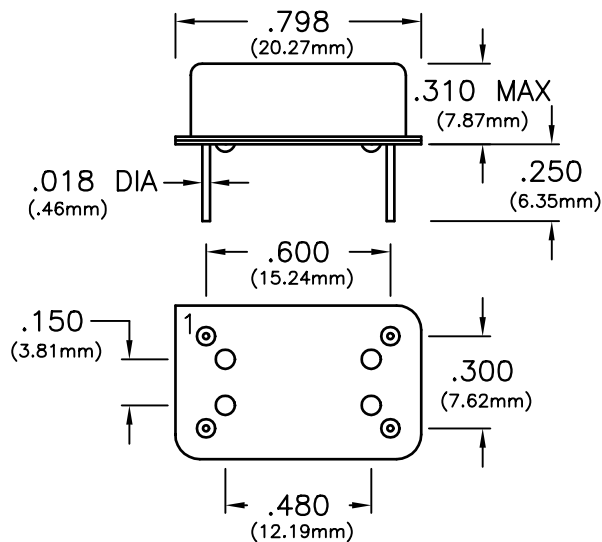
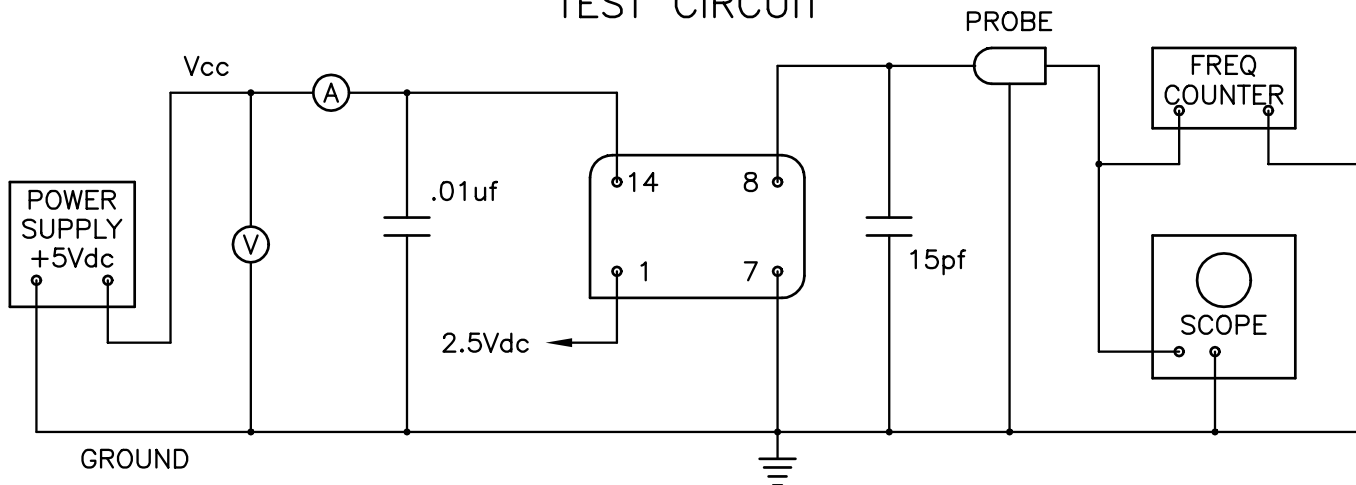
H V 4 1 - 1 0 0 / 4 4 . 7 3 6 M H z

VCXO SERIES

MINIMUM DEVIATION OF
±50ppm FROM 0.5
TO 4.5Vdc CONTROL
VOLTAGE.

CENTER FREQUENCY

TEST CIRCUIT



PIN	CONNECTION
1	CONTROL VOLTAGE
7	GROUND (CASE)
8	OUTPUT
14	(+) SUPPLY

Dimensional Tolerance: ±.005